



EBARA

ISO 9001 : 2000
Lic. no. GE22090
Quality
Endorsed
Company



D8001-5

D'SERIES SUBMERSIBLE PUMPS

Model DS / DVS / DL / DF

50Hz

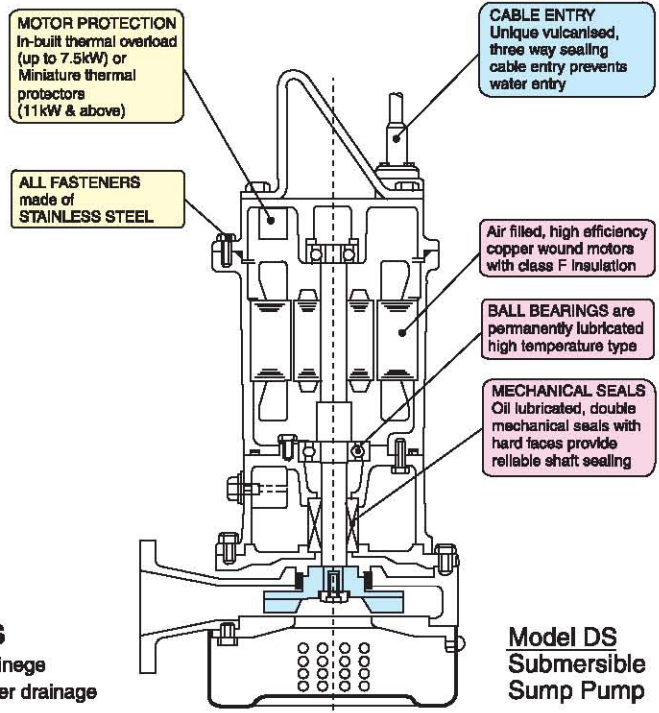


D'SERIES SUBMERSIBLE PUMPS

For Sump, Effluent,
Waste water
and Sewage.

A comprehensive range
of Reliable, High quality
Submersible pumps.

Of Robust Cast iron
construction, with many
design features.



Model DS

■ FEATURES

- Efficient Semi-Open Impeller.
- Strainer prevents blockages.

■ APPLICATIONS

- Purification tank drainage
- Rain and spring water drainage
- Water supply

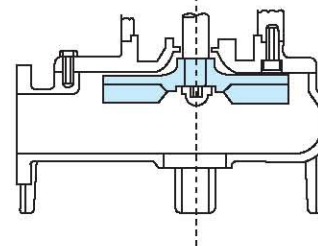
Model DVS

■ FEATURES

- Semi-Vortex Impeller offers non-clog operation and allows pumping of foreign matter up to 60-70% of discharge size.
- Easy Maintenance.

■ APPLICATIONS

- Ideal for waste water applications containing soft or fibrous solids
- Industrial waste water drainage
- Septic effluent
- Miscellaneous drainage



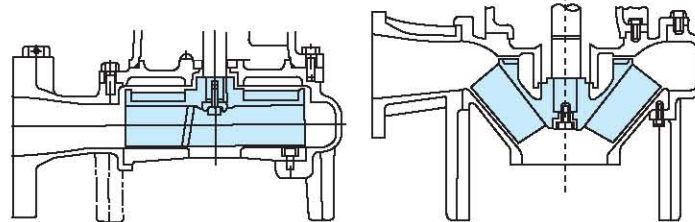
Model DL

■ FEATURES

- Non-Clog Semi-Open Impellers prevents clogging by fibrous matter.
- Full Range of Models up to 250 mm discharge size and 22 kW available.

■ APPLICATIONS

- Sewage
- Waste water



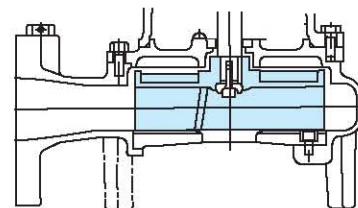
Model DF (with Cutter)

■ FEATURES

- Non-Clog Semi-Open Impellers prevents clogging by fibrous matter.
- Full Range of Models up to 100 mm discharge size and 3.7 kW available.

■ APPLICATIONS

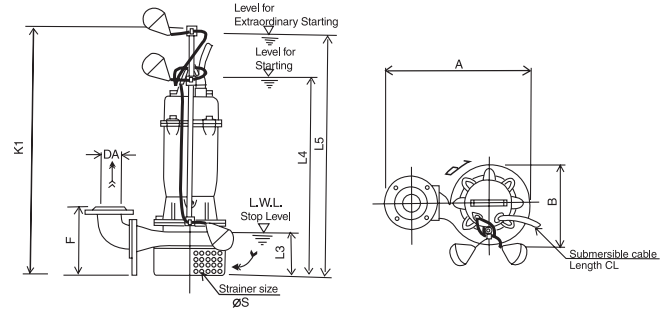
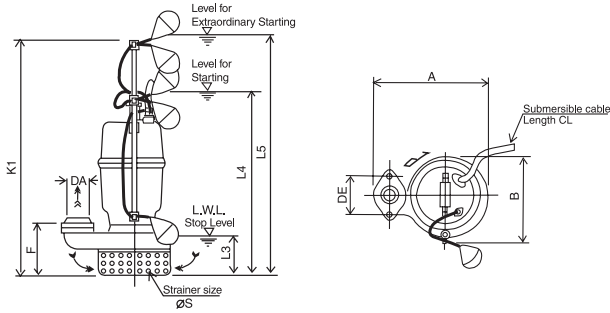
- Sewage
- Waste water



Specifications

Description		Pump				
Model	DS	DVS	DL	DF (With Cutter)		
No. of Pole	2	2	4	4		
Liquid Handled	Type of liquid	Fliver water, Sewage	Sewage, Waste water	Sewage		
	Temperature	0°C - 40°C for DS, DSA 0°C - 32°C for DSJ	0°C - 40°C for DL, DLA 0°C - 32°C for DLJ	0°C - 40°C for DF, DFA 0°C - 32°C for DFJ		
	Maximum solids size	40DS : 3 mm, 50DS : 5mm, 65DS : 6mm, 80DS : 7 mm	50DL : 35 mm, 65DL : 40 mm, 80DL, 100 DLC : 46 mm, 100DL, DLB : 57 MM, 150DL : 68 mm, 200dl : 73 mm, 250dl : 79 mm.	50DF : 35 mm, 65DF : 40 mm, 80DF : 46 mm, 100DF: 57 mm		
Maximum Submergence	0.4 - 1.5 kW = 4 m; 2.2 - 3.7 kW = 8 m	0.4 - 1.5 kW = 4 m; 2.2 - 3.7 kW = 8 m	8 m	8 m		
Minimum Submergence	Refer to water level (L.W.L.) in Dimensions	Refer to water level (L.W.L.) in Dimensions	Refer to water level (L.W.L.) in Dimensions	Refer to water level (L.W.L.) in Dimensions		
Synchronous speed	3000 min ⁻¹	3000 min ⁻¹	1500 min ⁻¹	1500 min ⁻¹		
Construction	Mechanical Seal	Double Mechanical Seal	Double Mechanical Seal	Double Mechanical Seal		
	Impeller	Semi-open	Semi-open, non-dog	Semi-open, non-dog		
	Bearing	Pre-lubricated bearing	Pre-lubricated bearing	Pre-lubricated bearing		
Material	Casing	Cast Iron	Cast Iron	Cast Iron		
	Impeller	Cast Iron	Cast Iron	Cast Iron		
	Shaft	403 Stainless Steel	403 Stainless Steel	403 Stainless Steel		
	Mechanical Impeller side	Silicon carbide vs Silicon carbide	Silicon carbide vs Silicon carbide	Silicon carbide vs Silicon carbide		
	Seal Motor side	Ceramic vs Carbon	Ceramic vs Carbon	Ceramic vs Carbon		
	Packing	NBR	NBR	NBR	NBR	
Motor						
Type	2 pole, air-filled waterlight		4 pole, air-filled waterlight			
Insulation	Class F		Class F			
Protection	Built in overload protector		Built in overload protector (up to 7.5 kW) ; Built in temperature detector protection (11 - 22 kW)			
Accessories						
Standard	Special Companion flange cast iron with bolts: 40- 50 DSS1.5, Submersible cable : 0.4 - 1.5 kW = 6 m; 2.2 - 3.7 kW = 10m, Float switch for DSADSJ		Submersible cable : 0.4 - 1.5 kW = 6 m; 2.2 - 3.7 kW = 10m, Float switch for DLA, DLJ, DVA, DVA, DVA, DVA, DFA, DFJ			
Optional	Quick discharge connector		Quick discharge connector			

Parallel Alternate type



Unit : mm

Size Ø	Model	Out Put kW	Phase	Pump and Motor								Weight (Mass) kg	
				A	B	F	DE	S	K1	L3	L4		L5
40	40DSJ5.25S	0.25	Single	219	185	80	80	7	640	120	410	600	14
	40DSJ5.25	0.25	Three	219	185	80	80	7	640	120	410	600	14
50	50DSJ5.4S	0.4	Single	260	200	99	96	8	640	120	410	600	18
	50DSJ5.4	0.4	Three	260	200	99	96	8	640	120	410	600	17
	50DSJ5.75	0.75		260	200	99	96	8	640	120	410	600	18
	50DSJ5.15	1.5	268	207	115	96	10	640	120	410	600	27	

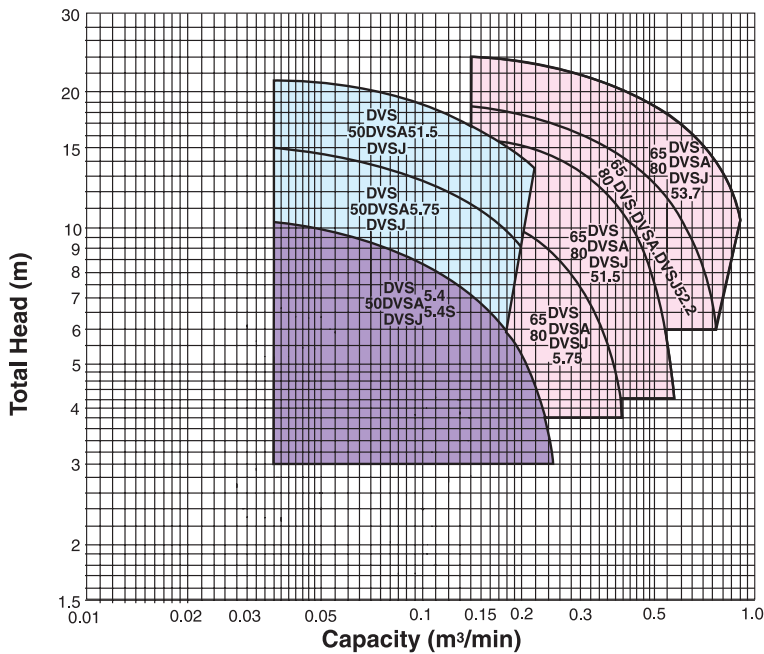
Unit : mm

Size Ø	Model	Out Put kW	Phase	Pump and Motor								Weight (Mass) kg
				A	B	F	S	K1	L3	L4	L5	
50	50DSJ52.2	2.2	Three	433	248	198	10	910	240	680	870	62
	50DSJ53.7	3.7	Three	433	248	198	10	910	240	680	870	67
65	65DSJ51.5	1.5	Three	407	210	197	10	640	120	410	600	36
80	80DSJ52.2	2.2	Three	503	268	215	10	910	240	680	870	65
	80DSJ53.7	3.7		503	268	215	10	910	240	680	870	70

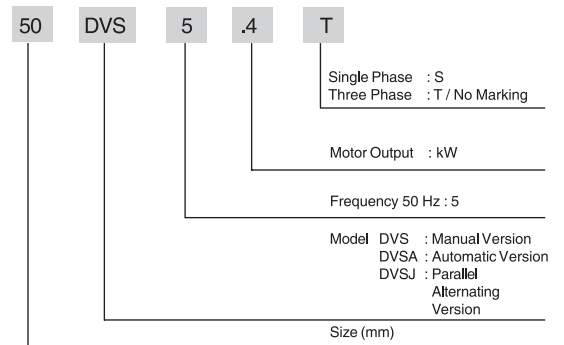
MODEL DVS

SELECTION CHARTS

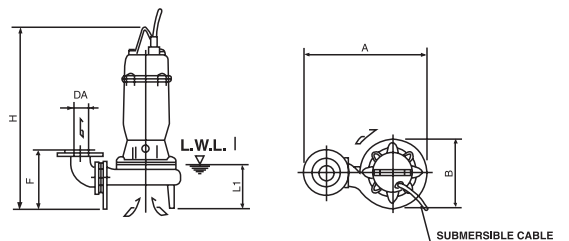
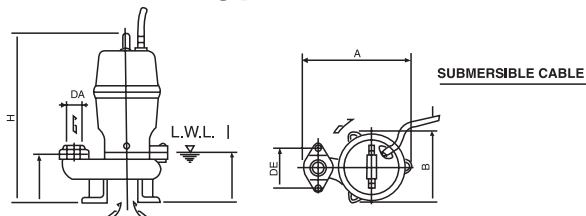
50 Hz (Synchronous speed 3000 min⁻¹)



MODEL CODE



Manual type



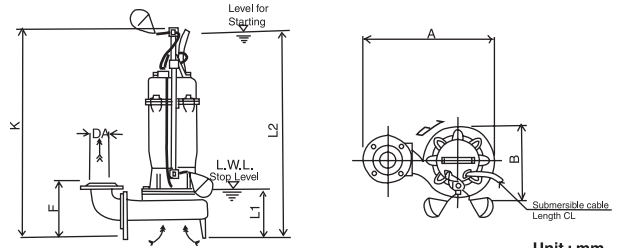
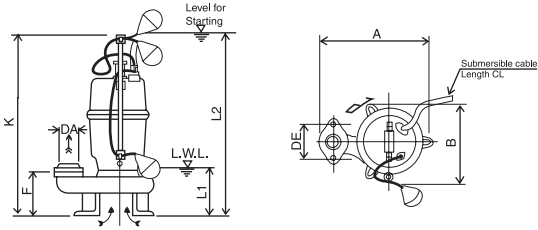
Unit : mm

Size Ø	Model	Out Put kW	Phase	Pump and Motor						Weight (Mass) kg
				A	B	F	H	DE	L1	
50	50DVS5.4S	0.4	Single	239	160	82	435	96	105	18
	50DVS5.4	0.4	Three	239	160	82	398	96	105	17
	50DVS5.75	0.75	Three	249	171	82	400	96	105	19
	50DVS5.15	1.5	Three	249	171	82	440	96	105	19

Unit : mm

Size Ø	Model	Out Put kW	Phase	Pump and Motor					Weight (Mass) kg
				A	B	F	H	L1	
65	65DVS5.75	0.75	Three	396	195	178	503	125	25
	65DVS5.15	1.5		396	195	178	521	125	24
	65DVS52.2	2.2		427	227	201	643	155	50
	65DVS53.7	3.7		427	227	201	643	155	59
80	80DVS5.75	0.75	Three	411	195	183	503	125	26
	80DVS5.15	1.5		411	195	183	521	125	35
	80DVS52.2	2.2		442	227	206	643	155	51
	80DVS53.7	3.7		442	227	206	643	155	60

Automatic type

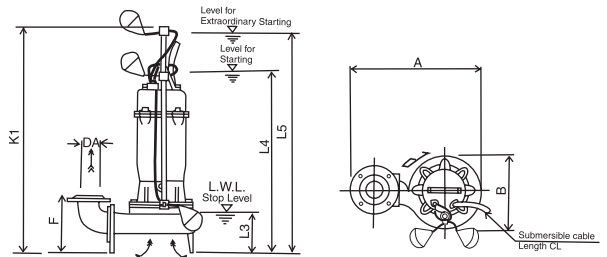
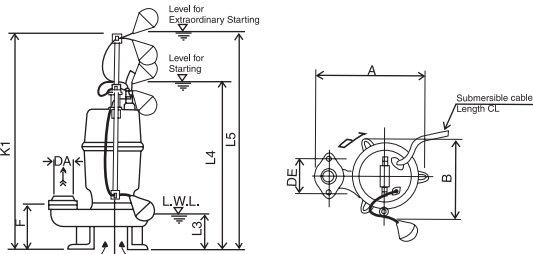


Unit : mm

Size \varnothing	Model	Out Put kW	Phase	Pump and Motor								Weight (Mass) kg
				A	B	F	DE	K	L1	L2		
50	50DVSA5.4S	0.4	Single	239	183	82	96	530	150	490	20	
	50DVSA5.4	0.4	Three	239	183	82	96	530	150	490	18	
	50DVSA5.75	0.75	Three	249	197	82	96	530	150	490	20	
	50DVSA5.1.5	1.5	Three	249	201	82	96	530	150	490	30	

Size \varnothing	Model	Out Put kW	Phase	Pump and Motor								Weight (Mass) kg
				A	B	F	H	J	K	L1	L2	
65	65DVSA5.75	0.75	Three	396	206	178	540	145	530	150	490	26
	65DVSA5.1.5	1.5		396	210	178	572	145	530	150	490	35
	65DVSA5.2.2	2.2		427	237	201	736	160	770	250	730	51
	65DVSA5.3.7	3.7		427	237	201	796	160	770	250	730	60
80	80DVSA5.75	0.75	Three	411	206	183	540	145	530	150	490	27
	80DVSA5.1.5	1.5		411	210	183	572	145	530	150	490	36
	80DVSA5.2.2	2.2		442	237	206	736	160	770	250	730	52
	80DVSA5.3.7	3.7		442	237	206	736	160	770	250	730	61

Parallel Alternate type



Unit : mm

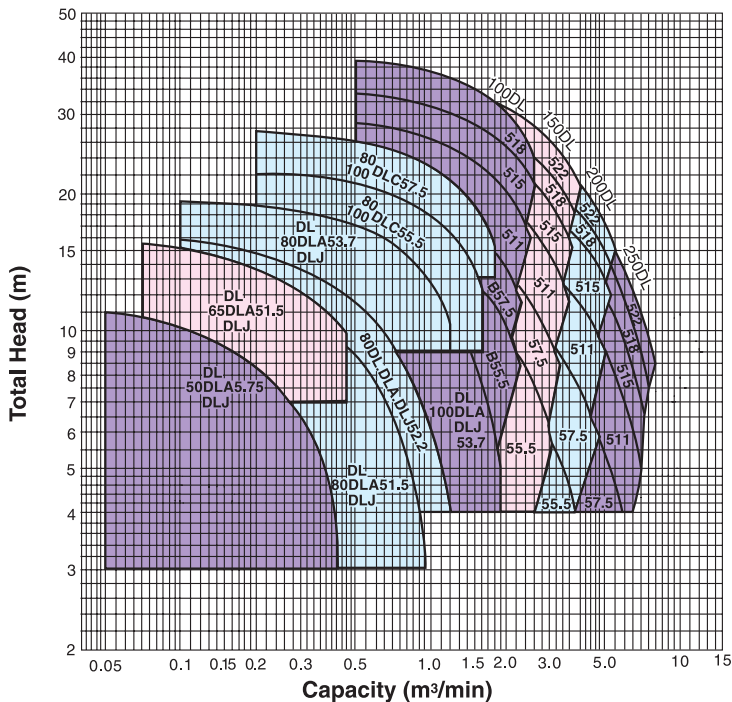
Size \varnothing	Model	Out Put kW	Phase	Pump and Motor								Weight (Mass) kg
				A	B	F	DE	K1	L3	L4	L5	
50	50DVSJ5.4S	0.4	Single	239	183	82	96	530	120	410	600	20
	50DVSJ5.4	0.4	Three	239	183	82	96	530	120	410	600	19
	50DVSJ5.75	0.75	Three	249	197	82	96	530	120	410	600	20
	50DVSJ5.1.5	1.5	Three	249	201	82	96	530	120	410	600	30

Size \varnothing	Model	Out Put kW	Phase	Pump and Motor								Weight (Mass) kg
				A	B	F	K1	L3	L4	L5		
65	65DVSJ5.75	0.75	Three	396	206	178	640	120	410	600	26	
	65DVSJ5.1.5	1.5		396	210	178	640	120	410	600	35	
	65DVSJ5.2.2	2.2		427	237	201	880	220	650	840	51	
	65DVSJ5.3.7	3.7		427	237	201	880	220	650	840	60	
80	80DVSJ5.75	0.75	Three	411	206	183	640	120	410	600	27	
	80DVSJ5.1.5	1.5		411	210	183	640	120	410	600	36	
	80DVSJ5.2.2	2.2		442	237	206	880	220	650	840	52	
	80DVSJ5.3.7	3.7		442	237	206	880	220	650	840	61	

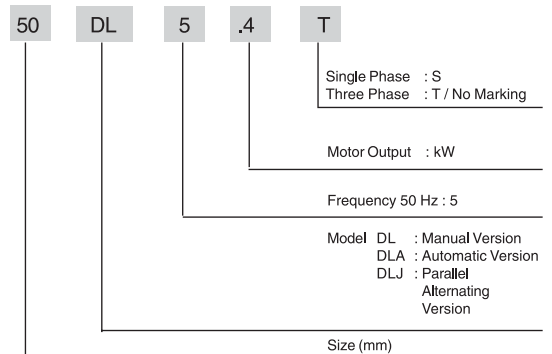
MODEL DL

SELECTION CHARTS

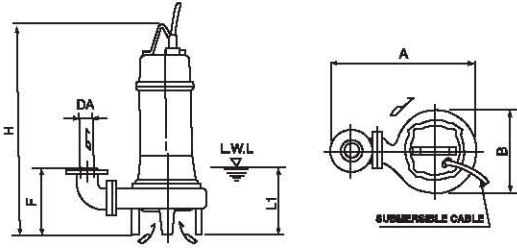
50 Hz (Synchronous speed 1500 min⁻¹)



MODEL CODE



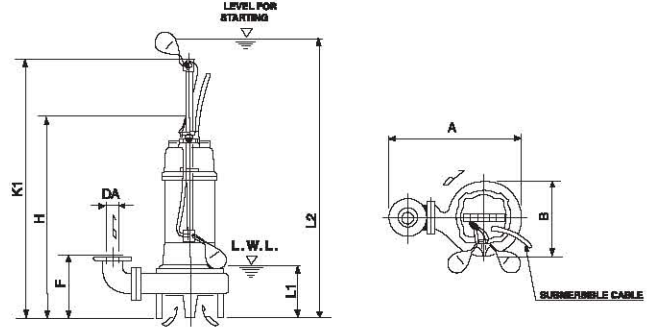
Manual type



Unit mm

Size ∅	Model	Output kW	Pump and Motor					Weight (Mass) kg
			A	B	F	H	L1	
50	50DL5.75	0.75	411	239	175	510	120	34
65	65DL51.5	1.5	497	291	200	576	140	52
80	80DL51.5	1.5	524	292	220	597	165	55
	80DL52.2	2.2	542	308	220	654	165	67
	80DL53.7	3.7	567	328	220	687	165	75
100	100DL53.7	3.7	614	335	250	705	185	79
	100DL55.5	5.5	646	369	323	767	205	123
	100DL56.5	5.5	660	379	322	752	205	134
	100DL57.5	7.5	673	385	323	759	205	141
	100DL57.5	7.5	690	399	320	750	205	148
	100DL511	11	701	402	323	858	205	180
	100DL515	15	741	441	330	954	205	230
100DL518	18.5	741	441	330	958	205	285	
150	150DL55.5	5.5	760	398	381	798	245	146
	150DL57.5	7.5	780	418	377	783	245	169
	150DL511	11	810	438	377	882	245	199
	150DL515	15	810	438	377	971	245	237
	150DL518	18.5	848	476	381	979	245	300
	150DL522	22	848	476	381	979	245	325
200	200DL55.5	5.5	832	430	414	825	285	160
	200DL57.5	7.5	863	453	410	808	285	176
	200DL511	11	863	453	410	907	285	212
	200DL515	15	896	479	411	994	285	260
	200DL518	18.5	932	512	415	1001	285	305
250	200DL522	22	932	512	415	1001	285	330
	250DL57.5	7.5	969	525	622	903	400	260
	250DL511	11	993	541	634	999	400	320
	250DL515	15	1007	549	646	1085	400	380
	250DL518	18.5	1007	549	646	1089	400	420
250DL522	22	1007	549	646	1089	400	440	

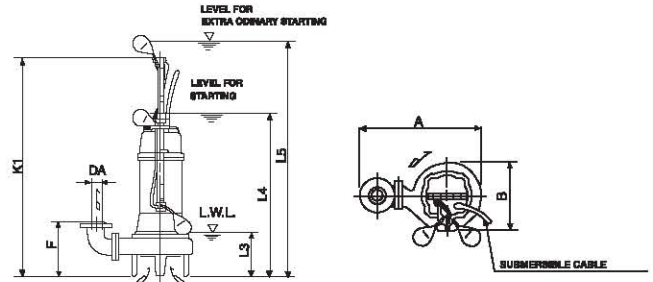
Automatic type



Unit mm

Size ∅	Model	Output kW	Pump and Motor					Weight (Mass) kg	
			A	B	F	K	L1		L2
50	50DLA5.75	0.75	411	239	175	630	250	650	36
65	65DLA51.5	1.5	497	291	200	840	320	860	55
80	80DLA51.5	1.5	524	292	220	840	320	860	58
	80DL52.2	2.2	542	308	220	840	320	860	70
	80DLA53.7	3.7	567	328	220	840	320	860	78
100	100DLA53.7	3.7	614	335	250	840	320	860	85

Parallel Alternate type

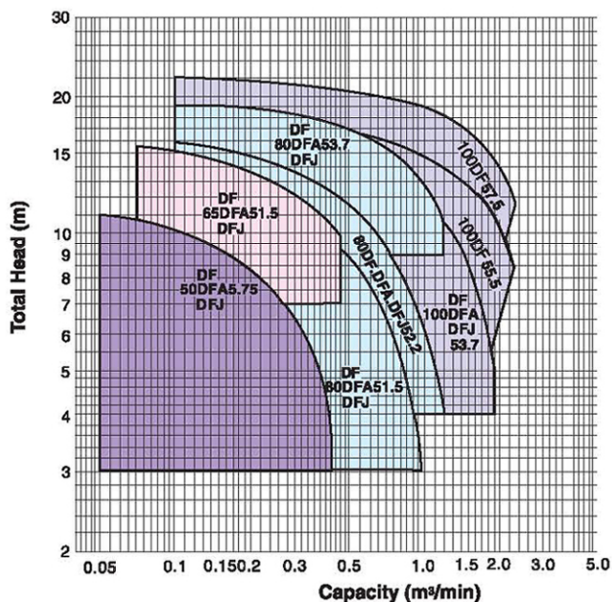


Unit mm

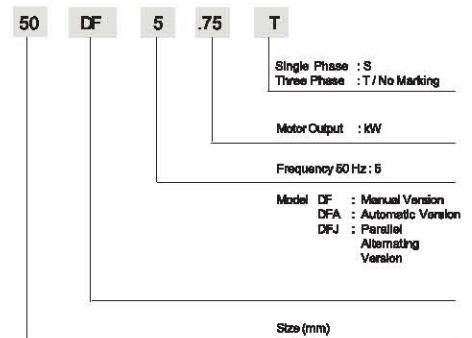
Size ∅	Model	Output kW	Pump and Motor					Weight (Mass) kg		
			A	B	F	K1	L3		L4	L5
50	50DLJ5.75	0.75	411	239	175	740	220	570	760	36
65	65DLJ51.5	1.5	497	291	200	950	290	780	970	55
80	80DLJ51.5	1.5	524	292	220	950	290	780	970	58
	80DLJ52.2	2.2	542	308	220	950	290	780	970	70
	80DLJ53.7	3.7	567	328	220	950	290	780	970	78
100	100DLJ53.7	3.7	614	335	250	950	290	780	970	85

MODEL DF (With Curtter)

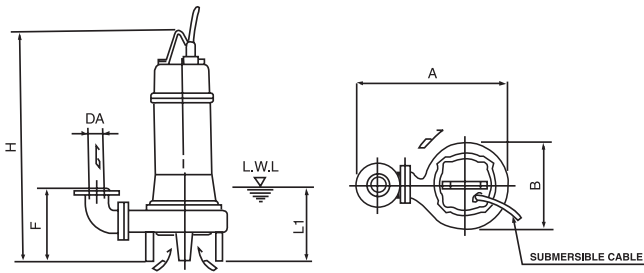
SELECTION CHARTS



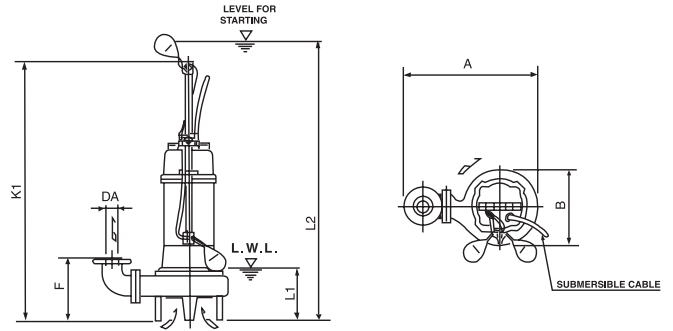
MODEL CODE



Manual type



Automatic type



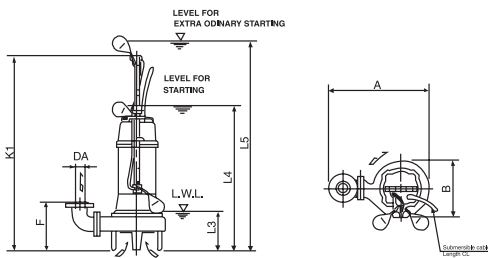
Unit mm

Size Ø	Model	Output kW	Pump and Motor					Weight (Mass) kg
			A	B	F	H	L1	
50	50DF5.75	0.75	411	239	175	510	120	34
65	65DF51.5	1.5	497	291	200	576	140	52
	80DF51.5	1.5	524	292	220	597	165	55
80	80DF52.2	2.2	542	308	220	654	165	67
	80DF53.7	3.7	567	328	220	687	165	75
100	100DF53.7	3.7	614	335	250	705	185	79
	100DF55.5	5.5	646	369	323	767	205	123
	100DF57.5	7.5	673	385	323	759	205	141

Unit mm

Size Ø	Model	Output kW	Pump and Motor						Weight (Mass) kg
			A	B	F	K	L1	L2	
50	50DFA5.75	0.75	411	239	175	630	250	650	36
65	65DFA51.5	1.5	497	291	200	840	320	860	55
80	80DFA51.5	1.5	524	292	220	840	320	860	58
	80DFA52.2	2.2	542	308	220	840	320	860	70
	80DFA53.7	3.7	567	328	220	840	320	860	78
100	100DFA53.7	3.7	614	335	250	840	320	860	85

Parallel Alternate type

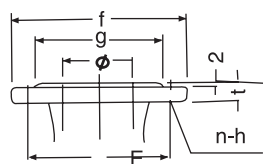


Unit mm

Size Ø	Model	Output kW	Pump and Motor							Weight (Mass) kg
			A	B	F	K1	L3	L4	L5	
50	50DFJ5.75	0.75	411	239	175	740	220	570	760	36
65	65DFJ51.5	1.5	497	291	200	950	290	780	970	55
80	80DFJ51.5	1.5	524	292	220	950	290	780	970	58
	80DFJ52.2	2.2	542	308	220	950	290	780	970	70
	80DFJ53.7	3.7	567	328	220	950	290	780	970	78
100	100DFJ53.7	3.7	614	335	250	950	290	780	970	85

Flange Dimension type

Flange



Unit: mm

Ø	e	f	g	t	n	h
50	120	155	100	18	4	15
65	140	175	120	18	4	15
80	150	185	130	18	8	15
100	175	210	155	20	8	15
150	240	280	215	22	8	19
200	290	330	265	24	12	19
250	355	400	325	30	12	25
300	400	445	370	32	16	25

OPTIONS

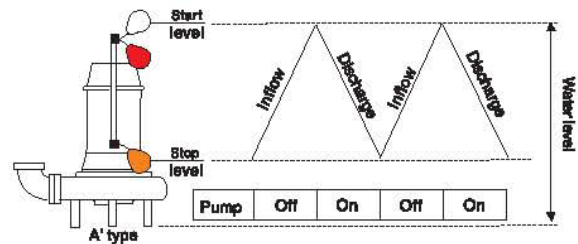
■ AUTOMATIC OPERATION (A', J' TYPE)

All models up to 3.7kW are available as automatic (A' type) or parallel alternating (J' type) pumps with Inbuilt control devices and float switches. There is no need for an external control panel, and operation can begin as soon as the pumps are installed and connected to a power source.

SINGLE PUMP INSTALLATION (A' TYPE)

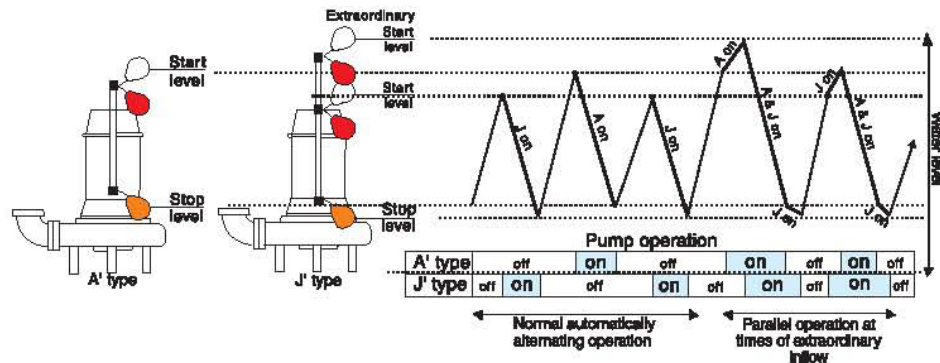
A single automatic (A' type) pump is installed in the sump.

The pump automatically starts when the water level in the sump reaches the "start level", and stops when the pump has lowered the water level to the "stop level".



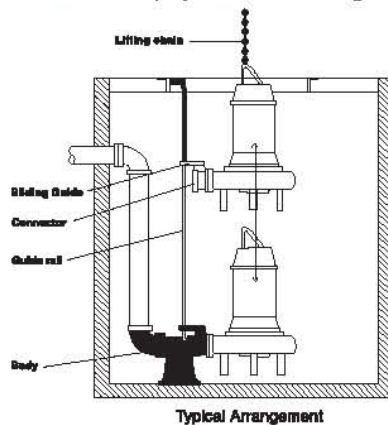
DUPLEX PUMP INSTALLATION (A' & J' TYPE)

Two pumps, one A' type and one J' type are installed in the sump. In normal operating conditions, operation alternates between the two pumps. In times of extraordinary inflow (Inflow is greater than the capacity of a single pump), then the two pumps will operate together in parallel operation.



■ QUICK DISCHARGE CONNECTION (QDC)

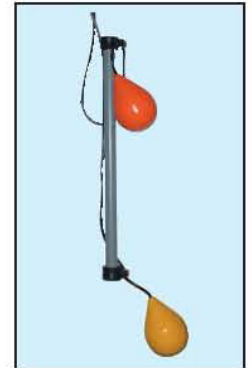
An optional quick discharge connector is available to suit all Ebara D'series submersible pumps, allowing easy removal and replacement of the pumps for maintenance purposes without having to enter the sump.



Typical Arrangement

■ FLOAT SWITCH

FLOAT SWITCH	
Model	CDL024080 A
Temperature	0~50°C
Function of contact	Up = ON Down = OFF
Voltage	AC 24V DC 24 V
Max Current	AC 0.5A DC 0.5A
Contact Capacity	AC 10 VA DC 10 VA
Lead Wire	2x0.2mm ² x6m



Note: (1) Full details of the A' type, J' type and QDC dimensions are available in the respective model's Technical Data.
(2) All specifications subject to change without prior notice.



EBARA CORPORATION

Head Office, Tokyo	Phone: 81 - 3 - 3743 - 6111	
International Division, Tokyo	Phone: 81 - 3 - 5461 - 6111	
Singapore Office	Phone: 65 - 862 - 3536	Fax: 65 - 861 - 0589
Beijing Office	Phone: 86 - 10 - 6590 - 8150	Fax: 86 - 10 - 6590 - 8158
Bangkok Office	Phone: 66 - 2 - 216 - 4935	Fax: 66 - 2 - 216 - 4937
Hanoi Office	Phone: 84 - 4 - 826 - 3601	Fax: 84 - 4 - 826 - 3617
Jakarta Office	Phone: 62 - 21 - 8740852	Fax: 62 - 21 - 8740033
Kuala Lumpur Office	Phone: 603 - 5569 - 1655	Fax: 603 - 5569 - 3766
Manila Office	Phone: 63 - 2 - 816 - 7524	Fax: 63 - 2 - 817 - 6662
Taipei Office	Phone: 886 - 2 - 567 - 1310	Fax: 886 - 2 - 567 - 1046
Dubai Office	Phone: 971 - 4 - 883 - 8889	Fax: 971 - 4 - 883 - 5307

Distributor / Dealer